

Core Overview

The SDRAM controller core with Avalon® interface provides an Avalon Memory-Mapped (Avalon-MM) interface to off-chip SDRAM. The SDRAM controller allows designers to create custom systems in an Altera® device that connect easily to SDRAM chips. The SDRAM controller supports standard SDRAM as described in the PC100 specification.

SDRAM is commonly used in cost-sensitive applications requiring large amounts of volatile memory. While SDRAM is relatively inexpensive, control logic is required to perform refresh operations, open-row management, and other delays and command sequences. The SDRAM controller connects to one or more SDRAM chips, and handles all SDRAM protocol requirements. Internal to the device, the core presents an Avalon-MM slave port that appears as linear memory (flat address space) to Avalon-MM master peripherals.

The core can access SDRAM subsystems with various data widths (8, 16, 32, or 64 bits), various memory sizes, and multiple chip selects. The Avalon-MM interface is latency-aware, allowing read transfers to be pipelined. The core can optionally share its address and data buses with other off-chip Avalon-MM tri-state devices. This feature is valuable in systems that have limited I/O pins, yet must connect to multiple memory chips in addition to SDRAM.

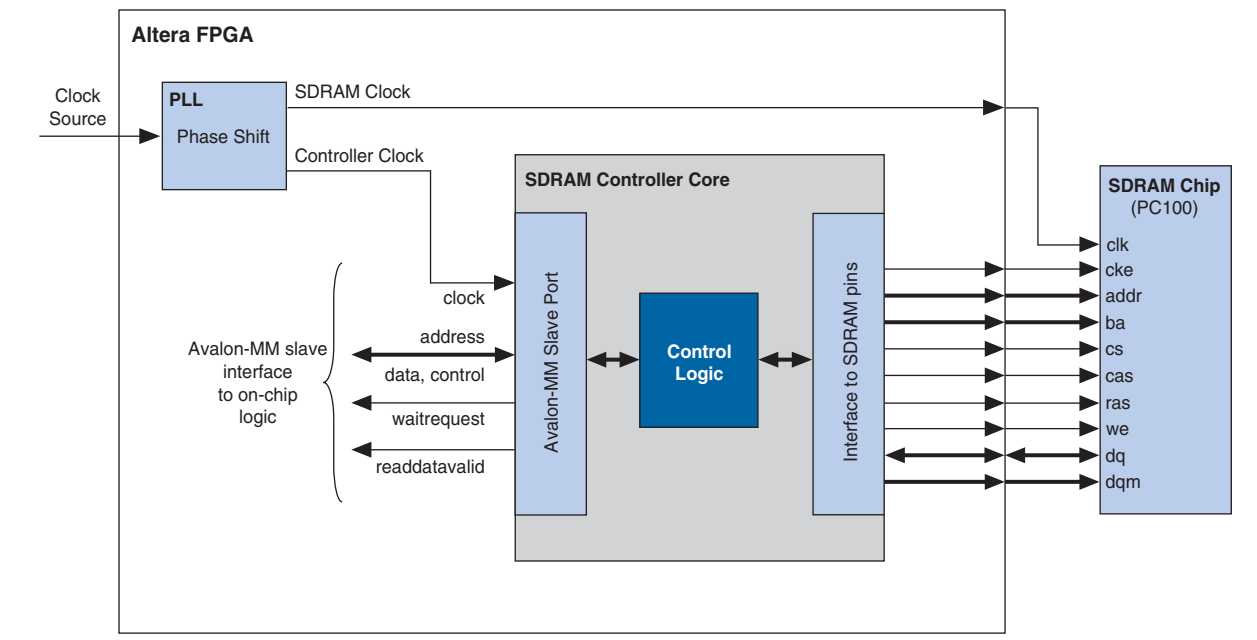
The SDRAM controller core with Avalon interface is SOPC Builder-ready and integrates easily into any SOPC Builder-generated system. This chapter contains the following sections:

- [“Functional Description” on page 1-2](#)
- [“Device Support” on page 1-5](#)
- [“Instantiating the Core in SOPC Builder” on page 1-5](#)
- [“Hardware Simulation Considerations” on page 1-7](#)
- [“Software Programming Model” on page 1-10](#)
- [“Clock, PLL and Timing Considerations” on page 1-10](#)

Functional Description

Figure 1-1 shows a block diagram of the SDRAM controller core connected to an external SDRAM chip.

Figure 1-1. SDRAM Controller with Avalon Interface Block Diagram




The following sections describe the components of the SDRAM controller core in detail. All options are specified at system generation time, and cannot be changed at runtime.

Avalon-MM Interface

The Avalon-MM slave port is the user-visible part of the SDRAM controller core. The slave port presents a flat, contiguous memory space as large as the SDRAM chip(s). When accessing the slave port, the details of the PC100 SDRAM protocol are entirely transparent. The Avalon-MM interface behaves as a simple memory interface. There are no memory-mapped configuration registers.

The Avalon-MM slave port supports peripheral-controlled wait states for read and write transfers. The slave port stalls the transfer until it can present valid data. The slave port also supports read transfers with variable latency, enabling high-bandwidth, pipelined read transfers. When a master peripheral reads sequential addresses from the slave port, the first data returns after an initial period of latency. Subsequent reads can produce new data every clock cycle. However, data is not guaranteed to return every clock cycle, because the SDRAM controller must pause periodically to refresh the SDRAM.

 For details about Avalon-MM transfer types, refer to the [Avalon Interface Specifications](#).

Off-Chip SDRAM Interface

The interface to the external SDRAM chip presents the signals defined by the PC100 standard. These signals must be connected externally to the SDRAM chip(s) through I/O pins on the Altera device.


Signal Timing and Electrical Characteristics

The timing and sequencing of signals depends on the configuration of the core. The hardware designer configures the core to match the SDRAM chip chosen for the system. See “[Instantiating the Core in SOPC Builder](#)” on page 1–5 for details. The electrical characteristics of the device pins depend on both the target device family and the assignments made in the Quartus® II software. Some device families support a wider range of electrical standards, and therefore are capable of interfacing with a greater variety of SDRAM chips. For details, refer to the device handbook for the target device family.

Synchronizing Clock and Data Signals

The clock for the SDRAM chip (SDRAM clock) must be driven at the same frequency as the clock for the Avalon-MM interface on the SDRAM controller (controller clock). As in all synchronous designs, you must ensure that address, data, and control signals at the SDRAM pins are stable when a clock edge arrives. As shown in [Figure 1–1](#), you can use an on-chip phase-locked loop (PLL) to alleviate clock skew between the SDRAM controller core and the SDRAM chip. At lower clock speeds, the PLL might not be necessary. At higher clock rates, a PLL is necessary to ensure that the SDRAM clock toggles only when signals are stable on the pins. The PLL block is not part of the SDRAM controller core. If a PLL is necessary, you must instantiate it manually. You can instantiate the PLL core interface, which is an SOPC Builder component, or instantiate an ALTPLL megafunction outside the SOPC Builder system module.

If you use a PLL, you must tune the PLL to introduce a clock phase shift so that SDRAM clock edges arrive after synchronous signals have stabilized. See “[Clock, PLL and Timing Considerations](#)” on page 1–10 for details.


 For more information about instantiating a PLL in your SOPC Builder system, refer to [PLL Core](#) chapter in volume 5 of the *Quartus II Handbook*. The Nios® II development tools provide example hardware designs that use the SDRAM controller core in conjunction with a PLL, which you can use as a reference for your custom designs. The Nios II development tools are available free for download from www.altera.com.

Clock Enable (CKE) Not Supported

The SDRAM controller does not support clock-disable modes. The SDRAM controller permanently asserts the CKE signal on the SDRAM.

Sharing Pins with Other Avalon-MM Tri-State Devices

If an Avalon-MM tri-state bridge is present in the SOPC Builder system, the SDRAM controller core can share pins with the existing tri-state bridge. In this case, the core’s `addr`, `dq` (data) and `dqm` (byte-enable) pins are shared with other devices connected to the Avalon-MM tri-state bridge. This feature conserves I/O pins, which is valuable in systems that have multiple external memory chips (for example, flash, SRAM, and SDRAM), but too few pins to dedicate to the SDRAM chip. See “[Performance Considerations](#)” for details about how pin sharing affects performance.

 The SDRAM addresses must connect all address bits regardless of the size of the word so that the low-order address bits on the tri-state bridge align with the low-order address bits on the memory device. The Avalon-MM tristate address signal always presents a byte address. It is not possible to drop A0 of the tri-state bridge for memories when the smallest access size is 16 bits or A0-A1 of the tri-state bridge when the smallest access size is 32 bits.

Board Layout and Pinout Considerations

When making decisions about the board layout and device pinout, try to minimize the skew between the SDRAM signals. For example, when assigning the device pinout, group the SDRAM signals, including the SDRAM clock output, physically close together. Also, you can use the **Fast Input Register** and **Fast Output Register** logic options in the Quartus II software. These logic options place registers for the SDRAM signals in the I/O cells. Signals driven from registers in I/O cells have similar timing characteristics, such as t_{CO} , t_{SU} , and t_H .

Performance Considerations

Under optimal conditions, the SDRAM controller core's bandwidth approaches one word per clock cycle. However, because of the overhead associated with refreshing the SDRAM, it is impossible to reach one word per clock cycle. Other factors affect the core's performance, as described in the following sections.


Open Row Management

SDRAM chips are arranged as multiple banks of memory, in which each bank is capable of independent open-row address management. The SDRAM controller core takes advantage of open-row management for a single bank. Continuous reads or writes within the same row and bank operate at rates approaching one word per clock. Applications that frequently access different destination banks require extra management cycles to open and close rows.

Sharing Data and Address Pins

When the controller shares pins with other tri-state devices, average access time usually increases and bandwidth decreases. When access to the tri-state bridge is granted to other devices, the SDRAM incurs overhead to open and close rows. Furthermore, the SDRAM controller has to wait several clock cycles before it is granted access again.

To maximize bandwidth, the SDRAM controller automatically maintains control of the tri-state bridge as long as back-to-back read or write transactions continue within the same row and bank.

 This behavior may degrade the average access time for other devices sharing the Avalon-MM tri-state bridge.

The SDRAM controller closes an open row whenever there is a break in back-to-back transactions, or whenever a refresh transaction is required. As a result:

- The controller cannot permanently block access to other devices sharing the tri-state bridge.

- The controller is guaranteed not to violate the SDRAM's row open time limit.

Hardware Design and Target Device

The target device affects the maximum achievable clock frequency of a hardware design. Certain device families achieve higher f_{MAX} performance than other families. Furthermore, within a device family, faster speed grades achieve higher performance. The SDRAM controller core can achieve 100 MHz in Altera's high-performance device families, such as Stratix® series. However, the core might not achieve 100 MHz performance in all Altera device families.

The f_{MAX} performance also depends on the SOPC Builder system design. The SDRAM controller clock can also drive other logic in the system module, which might affect the maximum achievable frequency. For the SDRAM controller core to achieve f_{MAX} performance of 100 MHz, all components driven by the same clock must be designed for a 100 MHz clock rate, and timing analysis in the Quartus II software must verify that the overall hardware design is capable of 100 MHz operation.

Device Support

The SDRAM Controller with Avalon interface core supports all Altera device families. Different device families support different I/O standards, which may affect the ability of the core to interface to certain SDRAM chips. For details about supported I/O types, refer to the device handbook for the target device family.

Instantiating the Core in SOPC Builder

Use the MegaWizard™ interface for the SDRAM controller in SOPC Builder to specify hardware and simulation features. The SDRAM controller MegaWizard has two pages: **Memory Profile** and **Timing**. This section describes the options available on each page.

The **Presets** list offers several pre-defined SDRAM configurations as a convenience. If the SDRAM subsystem on the target board matches one of the preset configurations, you can configure the SDRAM controller core easily by selecting the appropriate preset value. The following preset configurations are defined:

- Micron MT8LSDT1664HG module
- Four SDR100 8 MByte × 16 chips
- Single Micron MT48LC2M32B2-7 chip
- Single Micron MT48LC4M32B2-7 chip
- Single NEC D4564163-A80 chip (64 MByte × 16)
- Single Alliance AS4LC1M16S1-10 chip
- Single Alliance AS4LC2M8S0-10 chip

Selecting a preset configuration automatically changes values on the **Memory Profile** and **Timing** tabs to match the specific configuration. Altering a configuration setting on any page changes the **Preset** value to **custom**.

Memory Profile Page

The **Memory Profile** page allows you to specify the structure of the SDRAM subsystem such as address and data bus widths, the number of chip select signals, and the number of banks. [Table 1-1](#) lists the settings available on the **Memory Profile** page.

Table 1-1. Memory Profile Page Settings

Settings		Allowed Values	Default Values	Description
Data Width		8, 16, 32, 64	32	SDRAM data bus width. This value determines the width of the <code>dq</code> bus (data) and the <code>dqm</code> bus (byte-enable).
Architecture Settings	Chip Selects	1, 2, 4, 8	1	Number of independent chip selects in the SDRAM subsystem. By using multiple chip selects, the SDRAM controller can combine multiple SDRAM chips into one memory subsystem.
	Banks	2, 4	4	Number of SDRAM banks. This value determines the width of the <code>ba</code> bus (bank address) that connects to the SDRAM. The correct value is provided in the data sheet for the target SDRAM.
Address Width Settings	Row	11, 12, 13, 14	12	Number of row address bits. This value determines the width of the <code>addr</code> bus. The Row and Column values depend on the geometry of the chosen SDRAM. For example, an SDRAM organized as 4096 (2^{12}) rows by 512 columns has a Row value of 12.
	Column	≥ 8 , and less than Row value	8	Number of column address bits. For example, the SDRAM organized as 4096 rows by 512 (2^9) columns has a Column value of 9.
Share pins via tri-state bridge <code>dq/dqm/addr</code> I/O pins		On, Off	Off	When set to No, all pins are dedicated to the SDRAM chip. When set to Yes, the <code>addr</code> , <code>dq</code> , and <code>dqm</code> pins can be shared with a tristate bridge in the system. In this case, select the appropriate tristate bridge from the pull-down menu.
Include a functional memory model in the system testbench		On, Off	On	When on, SOPC Builder creates a functional simulation model for the SDRAM chip. This default memory model accelerates the process of creating and verifying systems that use the SDRAM controller. See “Hardware Simulation Considerations” on page 1-7.

Based on the settings entered on the **Memory Profile** page, the wizard displays the expected memory capacity of the SDRAM subsystem in units of megabytes, megabits, and number of addressable words. Compare these expected values to the actual size of the chosen SDRAM to verify that the settings are correct.

Timing Page

The **Timing** page allows designers to enter the timing specifications of the SDRAM chip(s) used. The correct values are available in the manufacturer's data sheet for the target SDRAM. [Table 1-2](#) lists the settings available on the **Timing** page.

Table 1-2. Timing Page Settings

Settings	Allowed Values	Default Value	Description
CAS latency	1, 2, 3	3	Latency (in clock cycles) from a read command to data out.
Initialization refresh cycles	1-8	2	This value specifies how many refresh cycles the SDRAM controller performs as part of the initialization sequence after reset.
Issue one refresh command every	—	15.625 μ s	This value specifies how often the SDRAM controller refreshes the SDRAM. A typical SDRAM requires 4,096 refresh commands every 64 ms, which can be achieved by issuing one refresh command every $64 \text{ ms} / 4,096 = 15.625 \text{ } \mu\text{s}$.
Delay after power up, before initialization	—	100 μ s	The delay from stable clock and power to SDRAM initialization.
Duration of refresh command (t _{rfc})	—	70 ns	Auto Refresh period.
Duration of precharge command (t _{rp})	—	20 ns	Precharge command period.
ACTIVE to READ or WRITE delay (t _{rzd})	—	20 ns	ACTIVE to READ or WRITE delay.
Access time (t _{ac})	—	17 ns	Access time from clock edge. This value may depend on CAS latency.
Write recovery time (t _{wr} , No auto precharge)	—	14 ns	Write recovery if explicit precharge commands are issued. This SDRAM controller always issues explicit precharge commands.

Regardless of the exact timing values you specify, the actual timing achieved for each parameter is an integer multiple of the Avalon clock period. For the **Issue one refresh command every** parameter, the actual timing is the greatest number of clock cycles that does not exceed the target value. For all other parameters, the actual timing is the smallest number of clock ticks that provides a value greater than or equal to the target value.

Hardware Simulation Considerations

This section discusses considerations for simulating systems with SDRAM. Three major components are required for simulation:

- A simulation model for the SDRAM controller.
- A simulation model for the SDRAM chip(s), also called the memory model.
- A simulation testbench that wires the memory model to the SDRAM controller pins.

Some or all of these components are generated by SOPC Builder at system generation time.

SDRAM Controller Simulation Model

The SDRAM controller design files generated by SOPC Builder are suitable for both synthesis and simulation. Some simulation features are implemented in the HDL using “translate on/off” synthesis directives that make certain sections of HDL code invisible to the synthesis tool.

The simulation features are implemented primarily for easy simulation of Nios and Nios II processor systems using the ModelSim® simulator. The SDRAM controller simulation model is not ModelSim specific. However, minor changes may be required to make the model work with other simulators.



If you change the simulation directives to create a custom simulation flow, be aware that SOPC Builder overwrites existing files during system generation. Take precautions to ensure your changes are not overwritten.



Refer to *AN 351: Simulating Nios II Processor Designs* for a demonstration of simulation of the SDRAM controller in the context of Nios II embedded processor systems.

SDRAM Memory Model

This section describes the two options for simulating a memory model of the SDRAM chip(s).

Using the Generic Memory Model

If the **Include a functional memory model the system testbench** option is enabled at system generation, SOPC Builder generates an HDL simulation model for the SDRAM memory. In the auto-generated system testbench, SOPC Builder automatically wires this memory model to the SDRAM controller pins.

Using the automatic memory model and testbench accelerates the process of creating and verifying systems that use the SDRAM controller. However, the memory model is a generic functional model that does not reflect the true timing or functionality of real SDRAM chips. The generic model is always structured as a single, monolithic block of memory. For example, even for a system that combines two SDRAM chips, the generic memory model is implemented as a single entity.

Using the SDRAM Manufacturer’s Memory Model

If the **Include a functional memory model the system testbench** option is not enabled, you are responsible for obtaining a memory model from the SDRAM manufacturer, and manually wiring the model to the SDRAM controller pins in the system testbench.

Example Configurations

The following examples show how to connect the SDRAM controller outputs to an SDRAM chip or chips. The bus labeled `ctl` is an aggregate of the remaining signals, such as `cas_n`, `ras_n`, `cke` and `we_n`.

Figure 1–2 shows a single 128-Mbit SDRAM chip with 32-bit data. The address, data, and control signals are wired directly from the controller to the chip. The result is a 128-Mbit (16-Mbyte) memory space.

Figure 1-2. Single 128-Mbit SDRAM Chip with 32-Bit Data

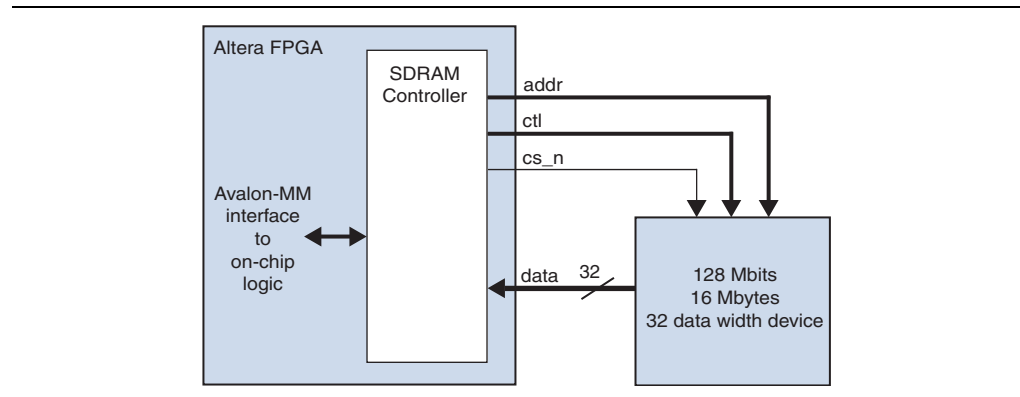


Figure 1-3 shows two 64-Mbit SDRAM chips, each with 16-bit data. The address and control signals connect in parallel to both chips. The chips share the chipselect (cs_n) signal. Each chip provides half of the 32-bit data bus. The result is a logical 128-Mbit (16-Mbyte) 32-bit data memory.

Figure 1-3. Two 64-MBit SDRAM Chips Each with 16-Bit Data

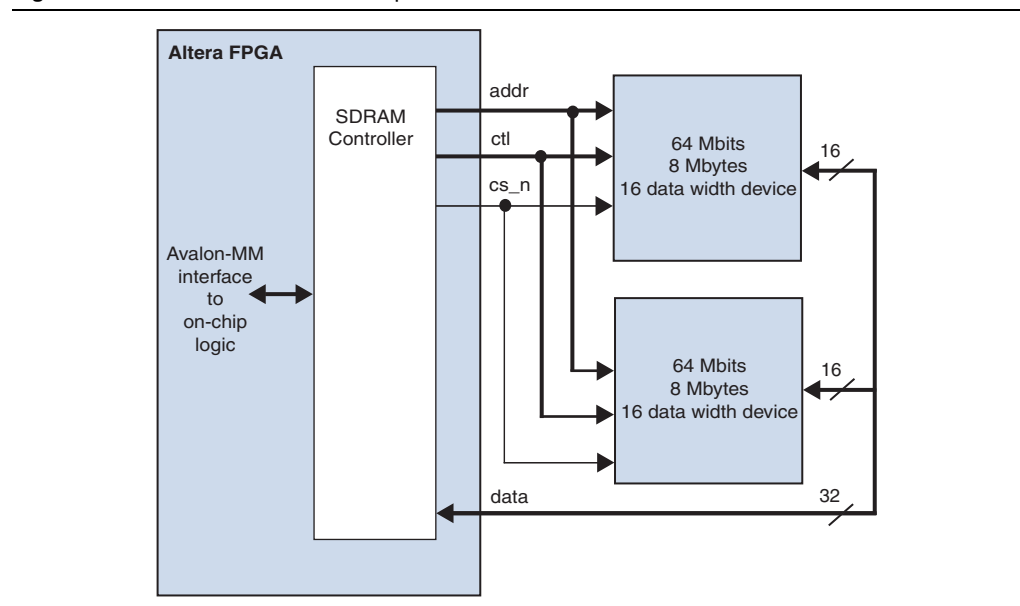
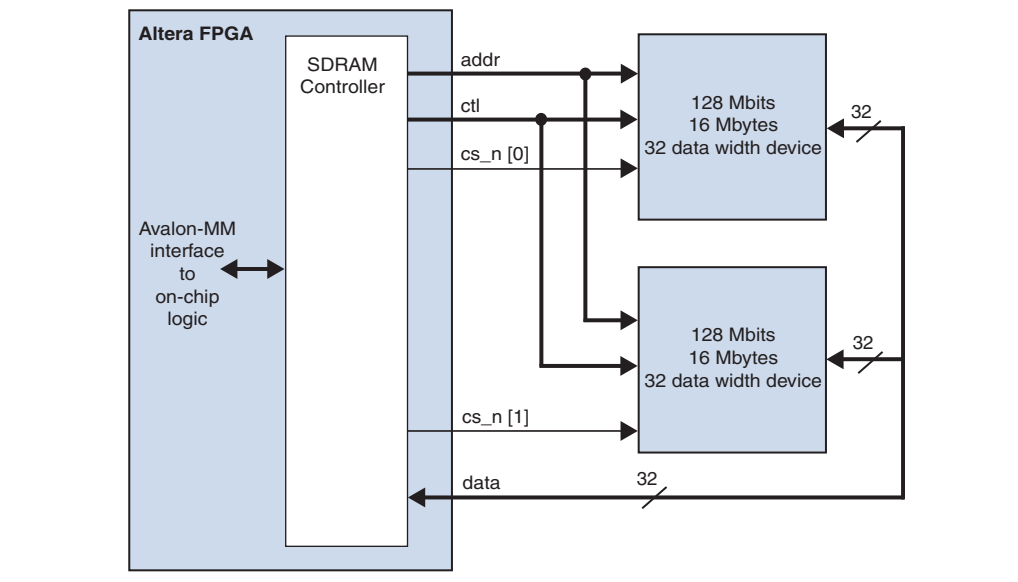


Figure 1-4 shows two 128-Mbit SDRAM chips, each with 32-bit data. The address, data, and control signals connect in parallel to the two chips. The chipselect bus ($cs_n[1:0]$) determines which chip is selected. The result is a logical 256-Mbit 32-bit wide memory.

Figure 1-4. Two 128-Mbit SDRAM Chips Each with 32-Bit Data

Software Programming Model

The SDRAM controller behaves like simple memory when accessed via the Avalon-MM interface. There are no software-configurable settings and no memory-mapped registers. No software driver routines are required for a processor to access the SDRAM controller.

Clock, PLL and Timing Considerations

This section describes issues related to synchronizing signals from the SDRAM controller core with the clock that drives the SDRAM chip. During SDRAM transactions, the address, data, and control signals are valid at the SDRAM pins for a window of time, during which the SDRAM clock must toggle to capture the correct values. At slower clock frequencies, the clock naturally falls within the valid window. At higher frequencies, you must compensate the SDRAM clock to align with the valid window.

Determine when the valid window occurs either by calculation or by analyzing the SDRAM pins with an oscilloscope. Then use a PLL to adjust the phase of the SDRAM clock so that edges occur in the middle of the valid window. Tuning the PLL might require trial-and-error effort to align the phase shift to the properties of your target board.



For details about the PLL circuitry in your target device, refer to the appropriate device family handbook. For details about configuring the PLLs in Altera devices, refer to the *ALTPLL Megafunction User Guide*.

Factors Affecting SDRAM Timing

The location and duration of the window depends on several factors:

- Timing parameters of the device and SDRAM I/O pins — I/O timing parameters vary based on device family and speed grade.
- Pin location on the device — I/O pins connected to row routing have different timing than pins connected to column routing.
- Logic options used during the Quartus II compilation — Logic options such as the **Fast Input Register** and **Fast Output Register** logic affect the design fit. The location of logic and registers inside the device affects the propagation delays of signals to the I/O pins.
- SDRAM CAS latency

As a result, the valid window timing is different for different combinations of FPGA and SDRAM devices. The window depends on the Quartus II software fitting results and pin assignments.

Symptoms of an Untuned PLL

Detecting when the PLL is not tuned correctly might be difficult. Data transfers to or from the SDRAM might not fail universally. For example, individual transfers to the SDRAM controller might succeed, whereas burst transfers fail. For processor-based systems, if software can perform read or write data to SDRAM, but cannot run when the code is located in SDRAM, the PLL is probably tuned incorrectly.

Estimating the Valid Signal Window

This section describes how to estimate the location and duration of the valid signal window using timing parameters provided in the SDRAM datasheet and the Quartus II software compilation report. After finding the window, tune the PLL so that SDRAM clock edges occur exactly in the middle of the window.

Calculating the window is a two-step process. First, determine by how much time the SDRAM clock can lag the controller clock, and then by how much time it can lead. After finding the maximum lag and lead values, calculate the midpoint between them.



These calculations provide an estimation only. The following delays can also affect proper PLL tuning, but are not accounted for by these calculations.

- Signal skew due to delays on the printed circuit board — These calculations assume zero skew.
- Delay from the PLL clock output nodes to destinations — These calculations assume that the delay from the PLL SDRAM-clock output-node to the pin is the same as the delay from the PLL controller-clock output-node to the clock inputs in the SDRAM controller. If these clock delays are significantly different, you must account for this phase shift in your window calculations.

Figure 1-5 shows how to calculate the maximum length of time that the SDRAM clock can lag the controller clock, and Figure 1-6 shows how to calculate the maximum lead. Lag is a negative time shift, relative to the controller clock, and lead is a positive time shift. The SDRAM clock can lag the controller clock by the lesser of the maximum lag for a read cycle or that for a write cycle. In other words, $Maximum\ Lag = \text{minimum}(Read\ Lag, Write\ Lag)$. Similarly, the SDRAM clock can lead by the lesser of the maximum lead for a read cycle or for a write cycle. In other words, $Maximum\ Lead = \text{minimum}(Read\ Lead, Write\ Lead)$.

Figure 1-5. Calculating the Maximum SDRAM Clock Lag

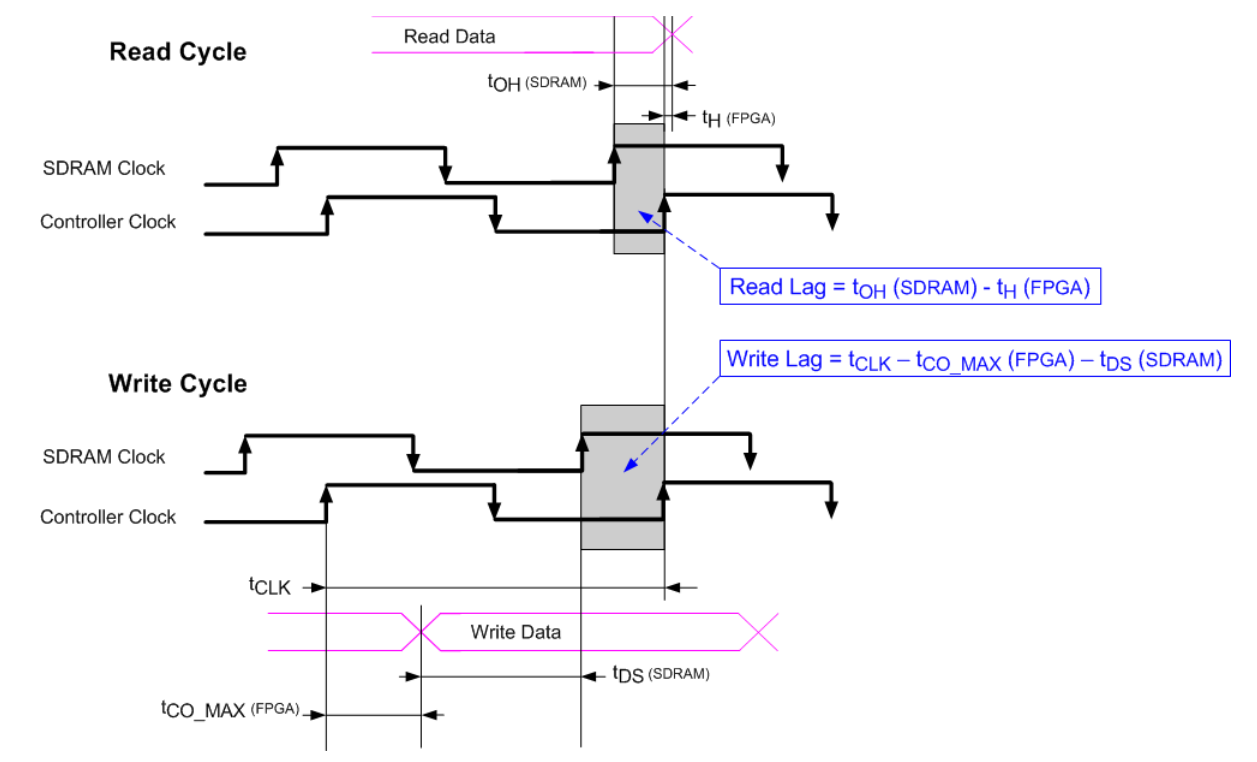
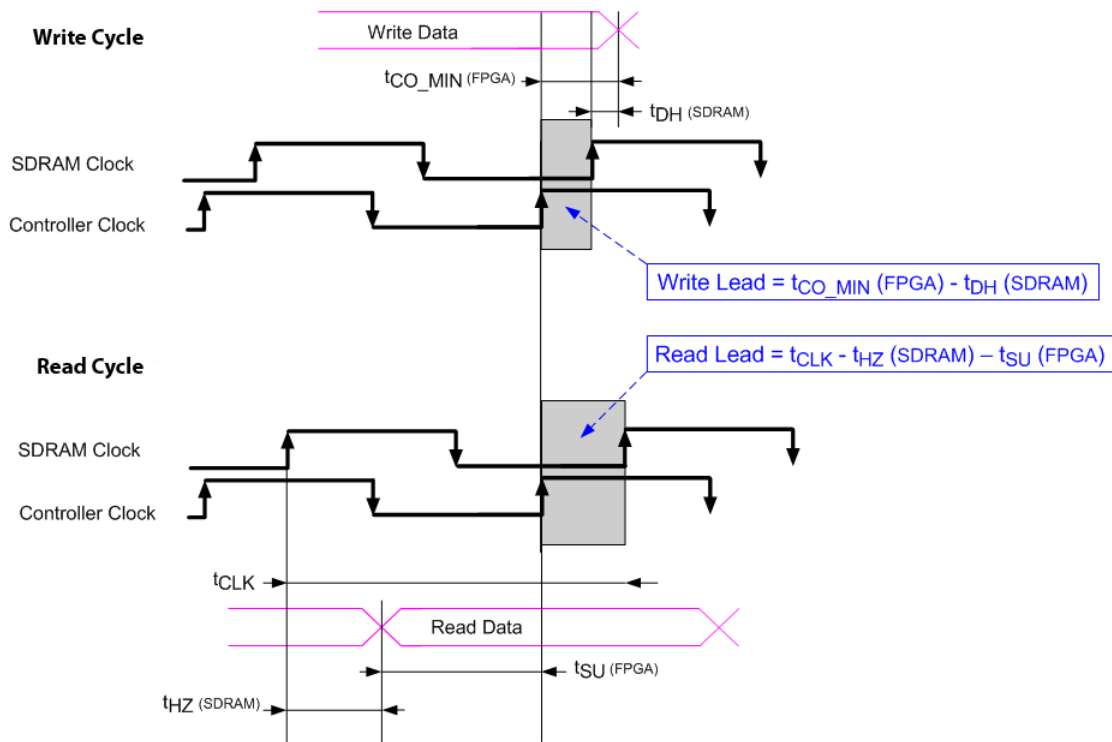


Figure 1-6. Calculating the Maximum SDRAM Clock Lead



Example Calculation

This section demonstrates a calculation of the signal window for a Micron MT48LC4M32B2-7 SDRAM chip and design targeting the Stratix II EP2S60F672C5 device. This example uses a CAS latency (CL) of 3 cycles, and a clock frequency of 50 MHz. All SDRAM signals on the device are registered in I/O cells, enabled with the **Fast Input Register** and **Fast Output Register** logic options in the Quartus II software.

Table 1-3 shows the relevant timing parameters excerpted from the MT48LC4M32B2 device datasheet.

Table 1-3. Timing Parameters for Micron MT48LC4M32B2 SDRAM Device (Part 1 of 2)

Parameter		Symbol	Value (ns) in -7 Speed Grade	
			Min.	Max.
Access time from CLK (pos. edge)	CL = 3	$t_{6(3)}$	—	5.5
	CL = 2	$t_{6(2)}$	—	8
	CL = 1	$t_{6(1)}$	—	17
Address hold time		t_M	1	—
Address setup time		t_S	2	—
CLK high-level width		t_{CH}	2.75	—
CLK low-level width		t_{CL}	2.75	—

Table 1-3. Timing Parameters for Micron MT48LC4M32B2 SDRAM Device (Part 2 of 2)

Parameter		Symbol	Value (ns) in -7 Speed Grade	
			Min.	Max.
Clock cycle time	CL = 3	$t_{CK(3)}$	7	—
	CL = 2	$t_{CK(2)}$	10	—
	CL = 1	$t_{CK(1)}$	20	—
CKE hold time		t_{CKH}	1	—
CKE setup time		t_{CKS}	2	—
CS#, RAS#, CAS#, WE#, DQM hold time		t_{CMH}	1	—
CS#, RAS#, CAS#, WE#, DQM setup time		t_{CMS}	2	—
Data-in hold time		t_{DH}	1	—
Data-in setup time		t_{DS}	2	—
Data-out high-impedance time	CL = 3	$t_{HZ(3)}$	—	5.5
	CL = 2	$t_{HZ(2)}$	—	8
	CL = 1	$t_{HZ(1)}$	—	17
Data-out low-impedance time		t_{LZ}	1	—
Data-out hold time		t_{OH}	2.5	—

Table 1-4 shows the relevant timing information, obtained from the Timing Analyzer section of the Quartus II Compilation Report. The values in the table are the maximum or minimum values among all device pins related to the SDRAM. The variance in timing between the SDRAM pins on the device is small (less than 100 ps) because the registers for these signals are placed in the I/O cell.

Table 1-4. FPGA I/O Timing Parameters

Parameter	Symbol	Value (ns)
Clock period	t_{CLK}	20
Minimum clock-to-output time	t_{CO_MIN}	2.399
Maximum clock-to-output time	t_{CO_MK}	2.477
Maximum hold time after clock	t_{H_MK}	-5.607
Maximum setup time before clock	t_{SU_MK}	5.936



You must compile the design in the Quartus II software to obtain the I/O timing information for the design. Although Altera device family datasheets contain generic I/O timing information for each device, the Quartus II Compilation Report provides the most precise timing information for your specific design.



The timing values found in the compilation report can change, depending on fitting, pin location, and other Quartus II logic settings. When you recompile the design in the Quartus II software, verify that the I/O timing has not changed significantly.

The following examples illustrate the calculations from [Figure 1-5](#) and [Figure 1-6](#) using the values from [Table 1-3](#) and [Table 1-4](#).

The SDRAM clock can lag the controller clock by the lesser of *Read Lag* or *Write Lag*:

$$\begin{aligned} \text{Read Lag} &= t_{\text{OH}}(\text{SDRAM}) - t_{\text{H_MAX}}(\text{FPGA}) \\ &= 2.5 \text{ ns} - (-5.607 \text{ ns}) = 8.107 \text{ ns} \end{aligned}$$

or

$$\begin{aligned} \text{Write Lag} &= t_{\text{CLK}} - t_{\text{CO_MAX}}(\text{FPGA}) - t_{\text{DS}}(\text{SDRAM}) \\ &= 20 \text{ ns} - 2.477 \text{ ns} - 2 \text{ ns} = 15.523 \text{ ns} \end{aligned}$$

The SDRAM clock can lead the controller clock by the lesser of *Read Lead* or *Write Lead*:

$$\begin{aligned} \text{Read Lead} &= t_{\text{CO_MIN}}(\text{FPGA}) - t_{\text{DH}}(\text{SDRAM}) \\ &= 2.399 \text{ ns} - 1.0 \text{ ns} = 1.399 \text{ ns} \end{aligned}$$

or

$$\begin{aligned} \text{Write Lead} &= t_{\text{CLK}} - t_{\text{HZ}(3)}(\text{SDRAM}) - t_{\text{SU_MAX}}(\text{FPGA}) \\ &= 20 \text{ ns} - 5.5 \text{ ns} - 5.936 \text{ ns} = 8.564 \text{ ns} \end{aligned}$$

Therefore, for this example you can shift the phase of the SDRAM clock from -8.107 ns to 1.399 ns relative to the controller clock. Choosing a phase shift in the middle of this window results in the value $(-8.107 + 1.399)/2 = -3.35 \text{ ns}$.

Referenced Documents

This chapter references the following documents:

- [ALTPLL Megafunction User Guide](#)
- [AN 351: Simulating Nios II Processor Designs](#)
- [Avalon Interface Specifications](#)
- [PLL Core](#) chapter in volume 5 of the *Quartus II Handbook*

Document Revision History

Table 1-5 shows the revision history for this chapter.

Table 1-5. Document Revision History

Date and Document Version	Changes Made	Summary of Changes
November 2009 v9.1.0	No change from previous release.	—
March 2009 v9.0.0	No change from previous release.	—
November 2008 v8.1.0	Changed to 8-1/2 x 11 page size. No change to content.	—
May 2008 v8.0.0.	No change from previous release.	—



For previous versions of the *Quartus II Handbook*, refer to the [Quartus II Handbook Archive](#).